

Premature Front Brake Pad Wear

Service Category Brake

Section Brake (front)

Market USA

Toyota Supports
 ASE Certification 

Applicability

YEAR(S)	MODEL(S)	ADDITIONAL INFORMATION
2009 – 2010	Corolla	

Introduction

Some 2009 – 2010 model year Corolla vehicles may exhibit premature pad wear. Use the following replacement pads to address this condition.

Parts Information

PREVIOUS PART NUMBER	CURRENT PART NUMBER	PART NAME	QTY
04465-02240 (NAP)	04465-12630	Pad, Kit Disc Brake, Front	1
04465-02220 (JPP)			
04945-12100 (NAP)	Same	Shim, Anti-Squeal, Front	1
04945-02150 (JPP)	Same		1
N/A	08887-80609	Disc Brake Caliper Grease (50 g Tube)	1

Warranty Information

OP CODE	DESCRIPTION	TIME	OFF	T1	T2
473301	R & R Pad Kit and Shims	0.7	43512-02240 (NAP) 43512-12710 (JPP)	87	19

APPLICABLE WARRANTY

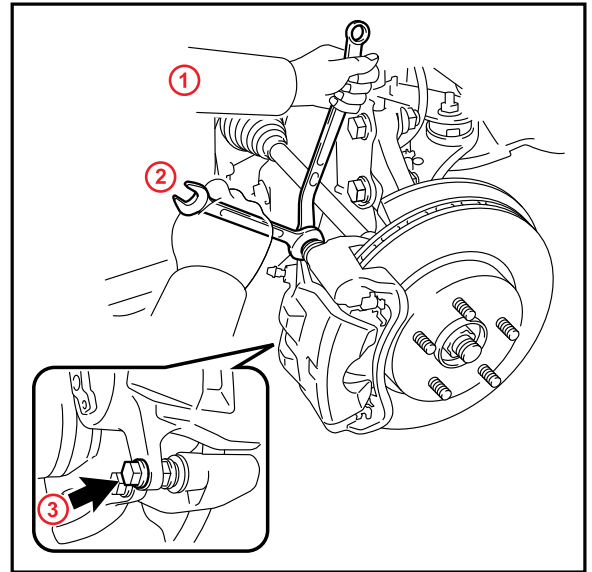
- This repair is covered under the Toyota Comprehensive Warranty. This warranty is in effect for 36 months or 36,000 miles, whichever occurs first, from the vehicle's in-service date.
- Warranty application is limited to occurrence of the specified condition described in this bulletin.

Premature Front Brake Pad Wear

Repair Procedure

1. Remove the front wheel.
2. Inspect the front pads for any irregular wear by loosening the two bolts on the brake caliper assembly.

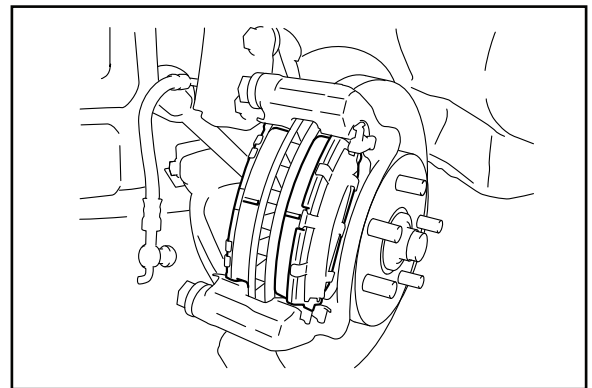
Figure 1.



1	Turn
2	Hold
3	Bolt

3. Remove the brake caliper assembly and support it to prevent damage to the flexible line.

Figure 2.



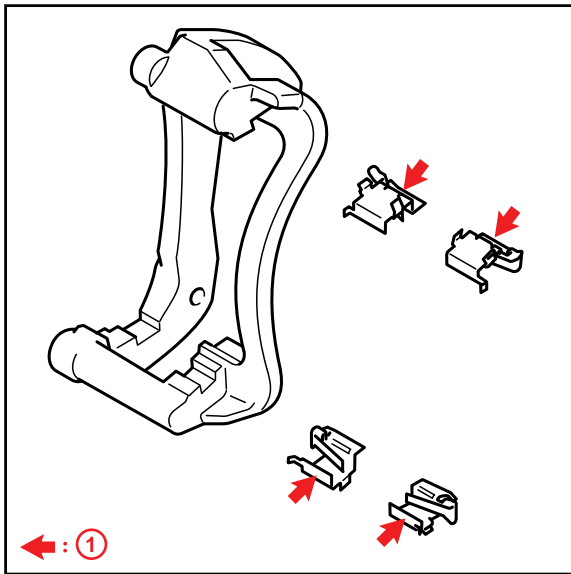
4. Inspect the front pads for wear.
If the pads are worn excessively, then replace the pads with the new part number.

Premature Front Brake Pad Wear

Repair Procedure (Continued)

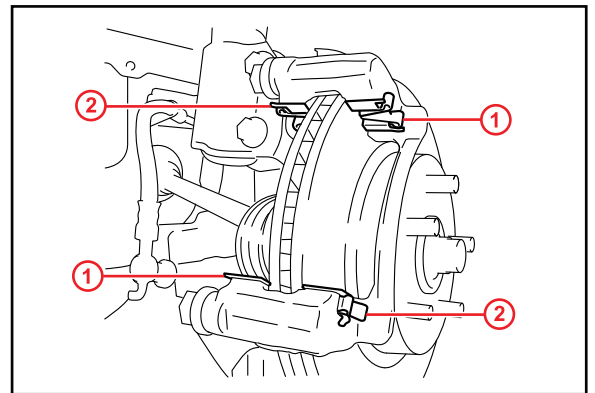
5. Add disc brake caliper grease to both sides of the pad support clips and the anti-squeal shims.

Figure 3.



1	Add Grease Here (Pad Support Clips)
----------	-------------------------------------

Figure 4.

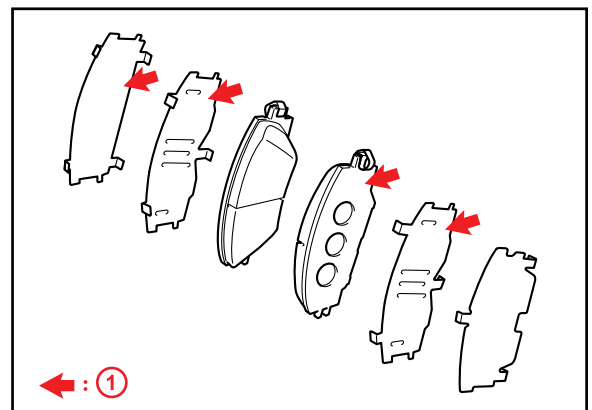


1	No. 1 Disc Brake Pad Support Plate
2	No. 2 Disc Brake Pad Support Plate

NOTE

Install the new anti-squeal shims and the pad wear indicators to the brake pads in the correct position to ensure quiet operation.

Figure 5.



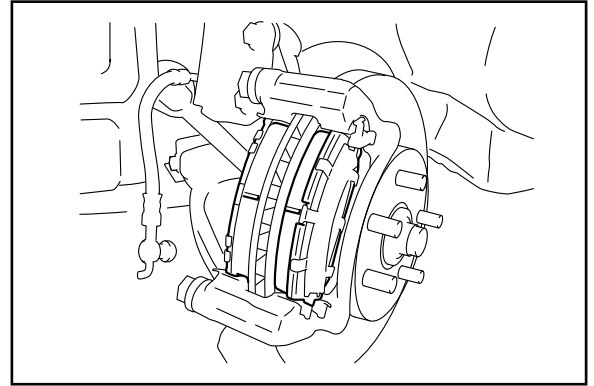
1	Add Grease to These Surfaces
----------	------------------------------

Premature Front Brake Pad Wear

Repair Procedure (Continued)

6. Install the pads into the brake caliper support assembly.

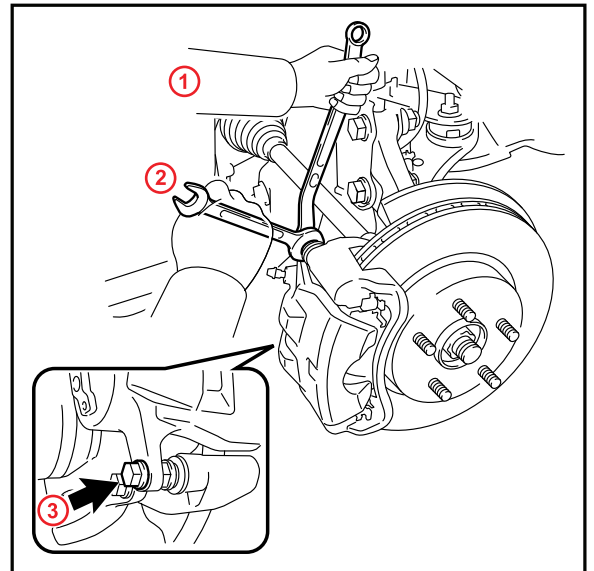
Figure 6.



7. Install the brake caliper and tighten the caliper bolts.

Torque: 34 N*m (347 kgf*cm, 25 ft*lbf)

Figure 7.



1	Turn
2	Hold
3	Bolt

8. Install the wheel and tighten the wheel nuts.

Torque: 103 N*m (1050 kgf*cm, 76 ft*lbf)

9. Road test the vehicle to confirm that there are no further issues with the brake system.